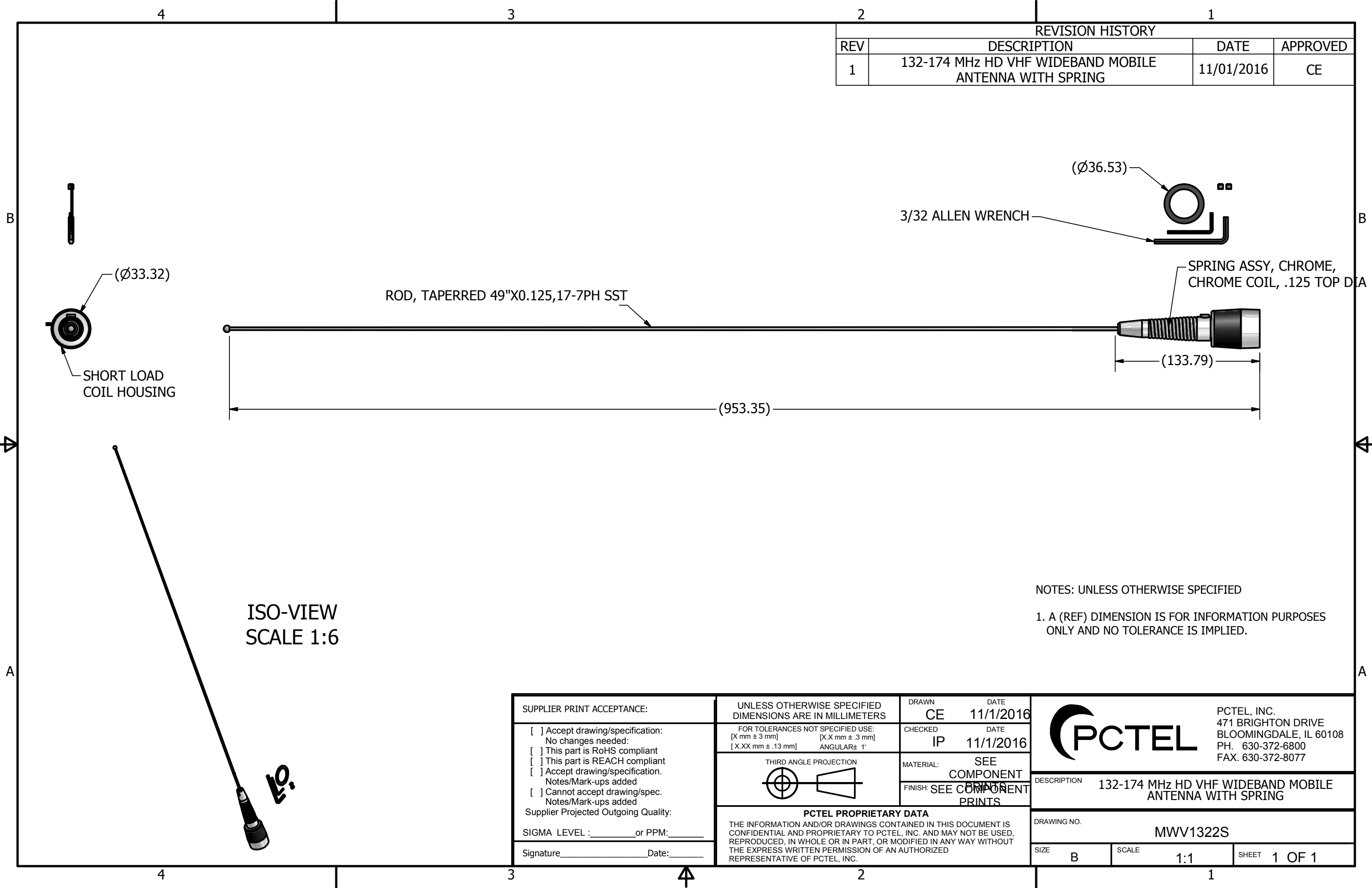


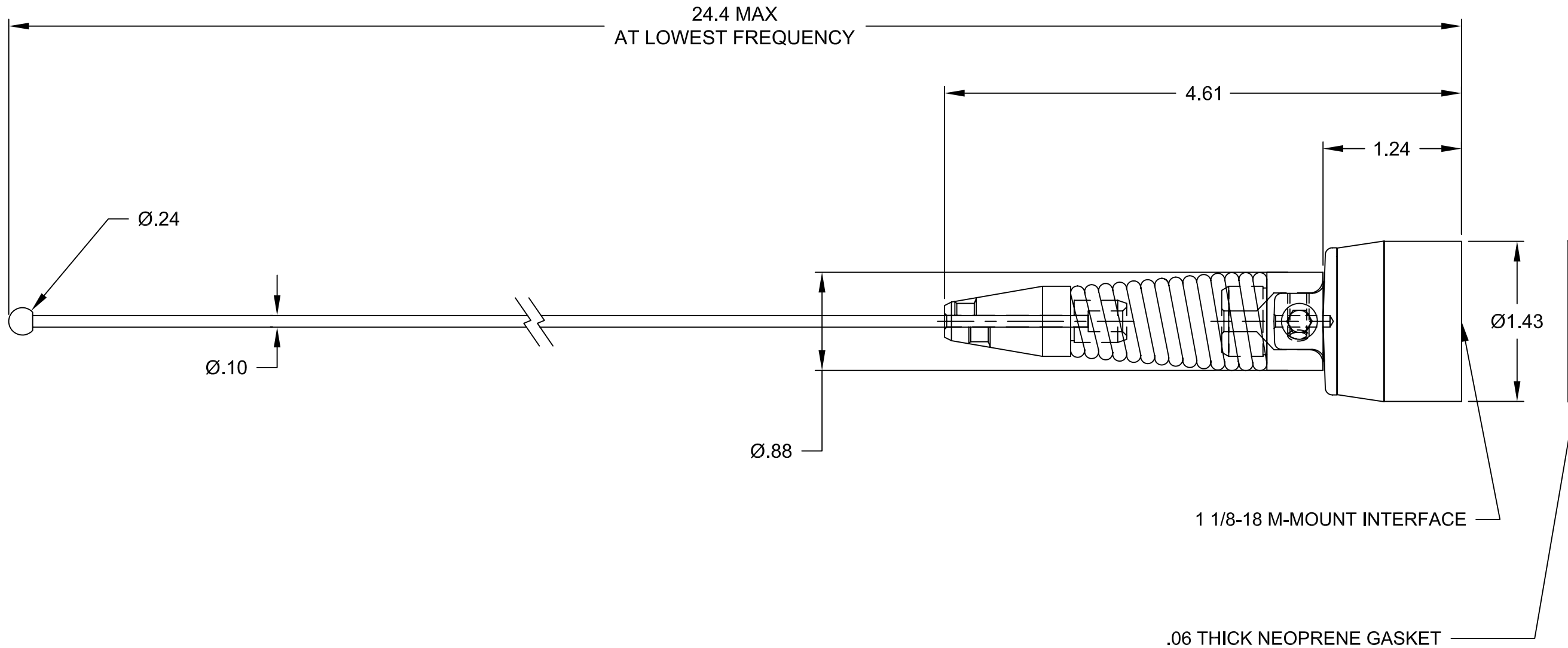
REVISION HISTORY			
REV	DESCRIPTION	DATE	APPROVED
1	132-174 MHz HD VHF WIDEBAND MOBILE ANTENNA WITH SPRING	11/01/2016	CE



NOTES: UNLESS OTHERWISE SPECIFIED
 1. A (REF) DIMENSION IS FOR INFORMATION PURPOSES ONLY AND NO TOLERANCE IS IMPLIED.

SUPPLIER PRINT ACCEPTANCE: <input type="checkbox"/> Accept drawing/specification: No changes needed: <input type="checkbox"/> This part is RoHS compliant <input type="checkbox"/> This part is REACH compliant <input type="checkbox"/> Accept drawing/specification. Notes/Mark-ups added <input type="checkbox"/> Cannot accept drawing/spec. Notes/Mark-ups added Supplier Projected Outgoing Quality: SIGMA LEVEL : _____ or PPM: _____ Signature _____ Date: _____	UNLESS OTHERWISE SPECIFIED DIMENSIONS ARE IN MILLIMETERS FOR TOLERANCES NOT SPECIFIED USE: [X mm \pm 3 mm] [X.X mm \pm .3 mm] [X.XX mm \pm .13 mm] ANGULAR \pm 1'	DRAWN: CE DATE: 11/1/2016 CHECKED: IP DATE: 11/1/2016 MATERIAL: SEE COMPONENT PRINTS FINISH: SEE COMPONENT PRINTS	PCTEL PCTEL, INC. 471 BRIGHTON DRIVE BLOOMINGDALE, IL 60108 PH. 630-372-6800 FAX. 630-372-8077	
	THIRD ANGLE PROJECTION 			DESCRIPTION: 132-174 MHz HD VHF WIDEBAND MOBILE ANTENNA WITH SPRING
	PCTEL PROPRIETARY DATA THE INFORMATION AND/OR DRAWINGS CONTAINED IN THIS DOCUMENT IS CONFIDENTIAL AND PROPRIETARY TO PCTEL, INC. AND MAY NOT BE USED, REPRODUCED, IN WHOLE OR IN PART, OR MODIFIED IN ANY WAY WITHOUT THE EXPRESS WRITTEN PERMISSION OF AN AUTHORIZED REPRESENTATIVE OF PCTEL, INC.		DRAWING NO. MWV1322S	
			SIZE: B SCALE: 1:1 SHEET: 1 OF 1	

REVISIONS			
REV	DESCRIPTION	DRAWN/APPROVED/DATE	LOC



UNLESS OTHERWISE SPECIFIED
DIMENSION ARE IN INCHES

FOR TOLERANCES NOT SPECIFIED USE:
X.X - ± 0.1, X.XX - ± 0.01, X.XXX - ± 0.005
ANGULAR ± 2°

THIRD ANGLE PROJECTION

PROPRIETARY DATA

THE INFORMATION CONTAINED IN THIS DOCUMENT IS
OF A PROPRIETARY NATURE. IT MAY NOT BE USED
OR REPRODUCED WITHOUT EXPRESS WRITTEN
PERMISSION OF MAXRAD INC., HANOVER PARK, IL 60133

DRAWN BDS	DATE 081705
CHECKED:	
APPROVED:	
MATERIAL:	
FINISH:	

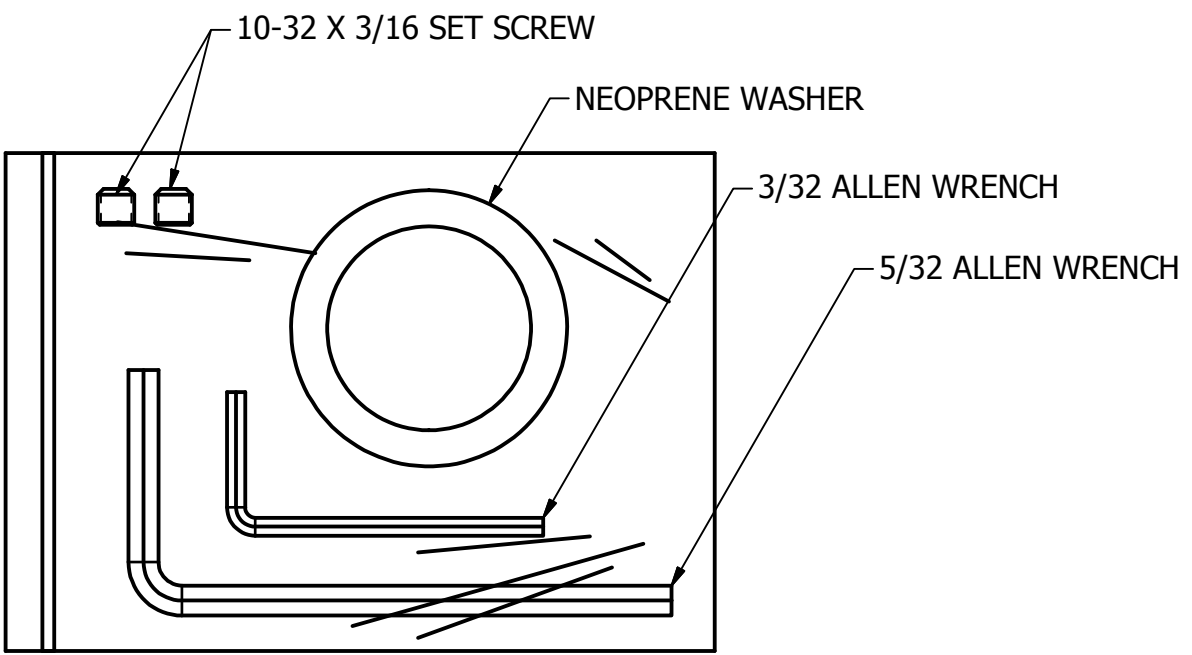
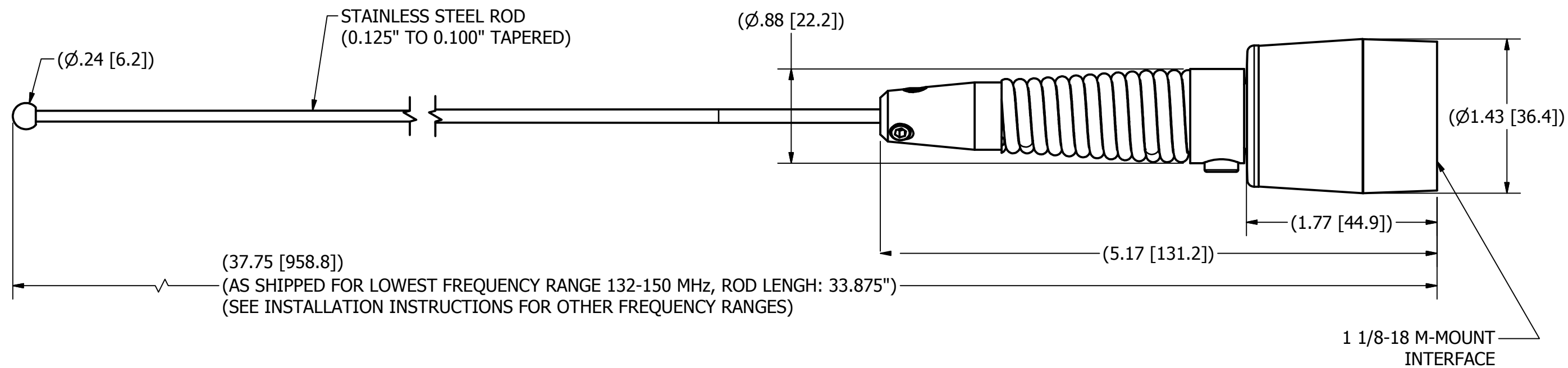
471 BRIGHTON DRIVE
BLOOMINGDALE, IL 60108
PH. 630-372-6800
FAX. 630-372-8077



DESCRIPTION	OUTLINE DIMENSIONAL DRAWING, 132-512 MHz, FIELD TUNABLE WIDEBAND QUARTERWAVE MOBILE ANTENNA
DRAWING NO.	ODD_MWB1320
SIZE	B
SCALE	
SHEET	

NOTES: UNLESS OTHERWISE SPECIFIED

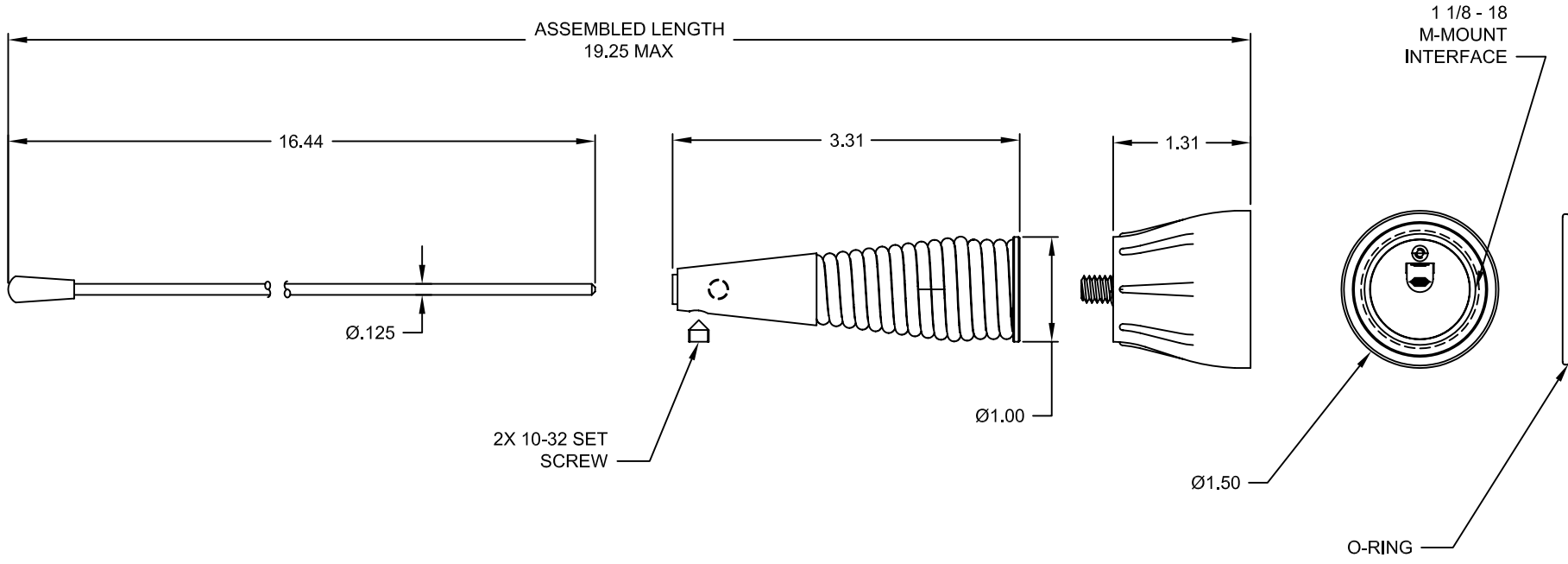
- TEST PER ANTENNA ELECTRICAL SPECIFICATIONS.
 FREQUENCY RANGE: 132-174 MHz
 NOMINAL IMPEDANCE: 50 Ohms
 NOMINAL GAIN: 2.4 dB WITH GROUND PLANE
 UNITY WITHOUT GROUND PLANE
 MAX POWER: 150 WATTS
 VSWR (MAX) < 2.0:1
- DIMENSIONS IN PARENTHESIS ARE FOR REFERENCE ONLY AND NO TOLERANCE IS IMPLIED.

REVISION HISTORY			
REV	DESCRIPTION	DATE	APPROVED
H	OUTLINE DIMENSIONAL DRAWING RELEASED	19MAY11	ML



UNLESS OTHERWISE SPECIFIED DIMENSIONS ARE IN INCHES [DIMENSIONS ARE IN mm] FOR TOLERANCES NOT SPECIFIED USE: X.X in \pm .1 in, X.XX in \pm .01 in, X.XXX in \pm .005 in [X mm \pm 3 mm], [X.X mm \pm .3 mm], [X.XXX mm \pm .13 mm] ANGULAR \pm 1', FRACTIONAL \pm 1/64 THIRD ANGLE PROJECTION  PROPRIETARY DATA THE INFORMATION CONTAINED IN THIS DOCUMENT IS OF A PROPRIETARY NATURE. IT MAY NOT BE USED OR REPRODUCED WITHOUT EXPRESS WRITTEN PERMISSION OF PCTEL INC., BLOOMINGDALE, IL 60108	DRAWN IP	DATE 5/19/2011	 PCTEL, INC. BROADBAND TECHNOLOGY GROUP ANTENNA PRODUCTS 471 BRIGHTON DRIVE BLOOMINGDALE, IL 60108 PH. 630-372-6800 FAX. 630-372-8077
	CHECKED	DATE	
	APPROVED	DATE	
	MATERIAL: SEE COMPONENT PRINTS		
FINISH: SEE COMPONENT PRINTS	DESCRIPTION 132-174 MHz HD VHF WIDEBAND MOBILE ANTENNA WITH SPRING		DRAWING NO. ODD_MWV1322HDS
	SIZE B	SCALE 1:1	SHEET 1 OF 1

REVISIONS			
REV	DESCRIPTION	DRAWN/APPROVED/DATE	LOC



2X 10-32 SET SCREW

1 1/8 - 18 M-MOUNT INTERFACE

O-RING

UNLESS OTHERWISE SPECIFIED DIMENSION ARE IN INCHES	DRAWN BDS 011206	DATE
FOR TOLERANCES NOT SPECIFIED USE: X.X - ± 0.1, X.XX - ± 0.01, X.XXX - ± 0.005 ANGULAR ± 2°	CHECKED:	
THIRD ANGLE PROJECTION	APPROVED:	
PROPRIETARY DATA	MATERIAL:	
THE INFORMATION CONTAINED IN THIS DOCUMENT IS OF A PROPRIETARY NATURE. IT MAY NOT BE USED OR REPRODUCED WITHOUT EXPRESS WRITTEN PERMISSION OF MAXRAD INC., HANOVER PARK, IL 60133	FINISH:	

	471 BRIGHTON DRIVE BLOOMINGDALE, IL 60108 PH. 630-372-6800 FAX. 630-372-8077	
	DESCRIPTION OUTLINE DIMENSIONAL DRAWING, 150-512MHZ, MOSAIC MOBILE ANTENNA	
DRAWING NO. ODD_ASPR7495		
SIZE B	SCALE NONE	SHEET